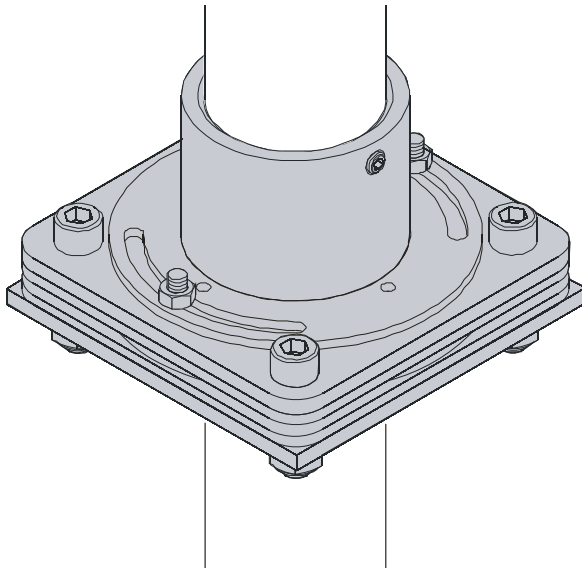




CSA-HD1

Installation Manual



Heavy Duty Swivel Adapter

DISCLAIMER

SkyVue TV and its affiliated corporations and subsidiaries, intend to make this manual accurate and complete. However, SkyVue TV makes no claim that the information contained herein covers all details, conditions or variations, nor does it provide for every possible contingency in connection with the installation or use of this product. The information contained in this document is subject to change without notice or obligation of any kind. SkyVue TV makes no representation of warranty, expressed or implied, regarding the information contained herein. SkyVue TV assumes no responsibility for accuracy, completeness or sufficiency of the information contained in this document.



WARNING: The CSA-HD1 mounts are designed to be mounted to a 1-1/2" NPT or NPSM following ANSI/ASME B1.20.1 (Schedule 40, 0.154" minimum thickness aluminum-ASTM B221) threaded extension column.



WARNING: Never operate this mounting system if it is damaged. Return the mounting system to a service center for examination and repair.



WARNING: Do not use this product outdoors.

--SAVE THESE INSTRUCTIONS--



IMPORTANT SAFETY INSTRUCTIONS



WARNING: A WARNING alerts you to the possibility of serious injury or death if you do not follow the instructions.



CAUTION: A CAUTION alerts you to the possibility of damage or destruction of equipment if you do not follow the corresponding instructions.



WARNING: Failure to read, thoroughly understand, and follow all instructions can result in serious personal injury, damage to equipment, or voiding of factory warranty! It is the installer's responsibility to make sure all components are properly assembled and installed using the instructions provided.



WARNING: Failure to provide adequate structural strength for this component can result in serious personal injury or damage to equipment! It is the installer's responsibility to make sure the structure to which this component is attached can support five times the combined weight of all equipment. Reinforce the structure as required before installing the component.



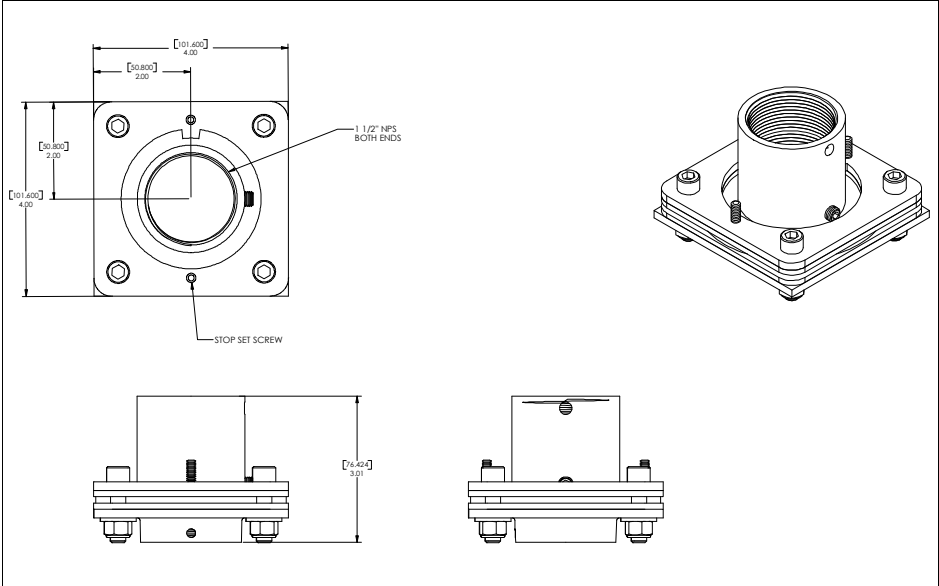
WARNING: Exceeding the weight capacity can result in serious personal injury or damage to equipment! It is the installer's responsibility to make sure the combined weight of all components located between the CSA-HD1 up to (and including) the projector does not exceed 500 lbs (226.8 kg).

- The weight capacity of the CSA-HD1 may be LIMITED to the lowest weight capacity of any other component located between the CSA-HD1 and the supporting structure!



WARNING: Use this mounting system only for its intended use as described in these instructions. Do not use attachments not recommended by the manufacturer.

DIMENSIONS





LEGEND

	Tighten Fastener
	Apretar elemento de fijación
	Befestigungsteil festziehen
	Apertar fixador
	Serrare il fissaggio
	Bevestiging vastdraaien
	Serrez les fixations

	Loosen Fastener
	Aflojar elemento de fijación
	Befestigungsteil lösen
	Desapertar fixador
	Allentare il fissaggio
	Bevestiging losdraaien
	Desserrez les fixations

	Phillips Screwdriver
	Destornillador Phillips
	Kreuzschlitzschraubendreher
	Chave de fendas Phillips
	Cacciavite a stella
	Kruiskopschroevendraaier
	Tournevis à pointe cruciforme

	Open-Ended Wrench
	Llave de boca
	Gabelschlüssel
	Chave de bocas
	Chiave a punte aperte
	Stecksleutel
	Clé à fourche

	By Hand
	A mano
	Von Hand
	Com a mão
	A mano
	Met de hand
	À la main

	Hex-Head Wrench
	Llave de cabeza hexagonal
	Sechskantschlüssel
	Chave de cabeça sextavada
	Chiave esagonale
	Zeskantsleutel
	Clé à tête hexagonale

	Pencil Mark
	Marcar con lápiz
	Stiftmarkierung
	Marcar com lápis
	Segno a matita
	Potloodmerkteken
	Marquage au crayon

	Drill Hole
	Perforar
	Bohrloch
	Fazer furo
	Praticare un foro
	Gat boren
	Percez un trou

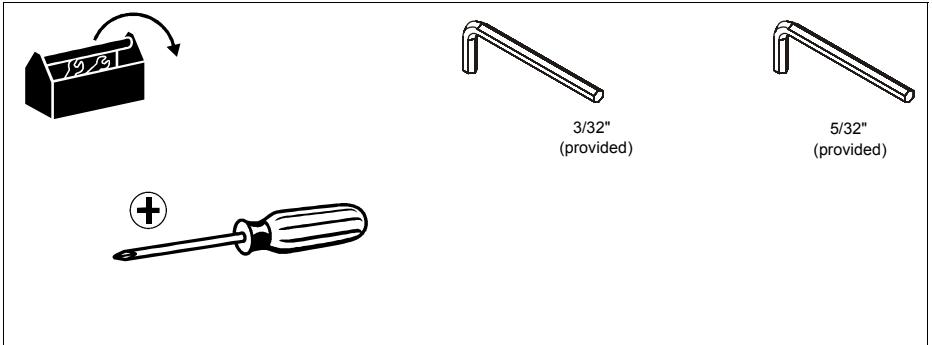
	Adjust
	Ajustar
	Einstellen
	Ajustar
	Regolare
	Afstellen
	Ajuster

	Remove
	Quitar
	Entfernen
	Remover
	Rimuovere
	Verwijderen
	Retirez

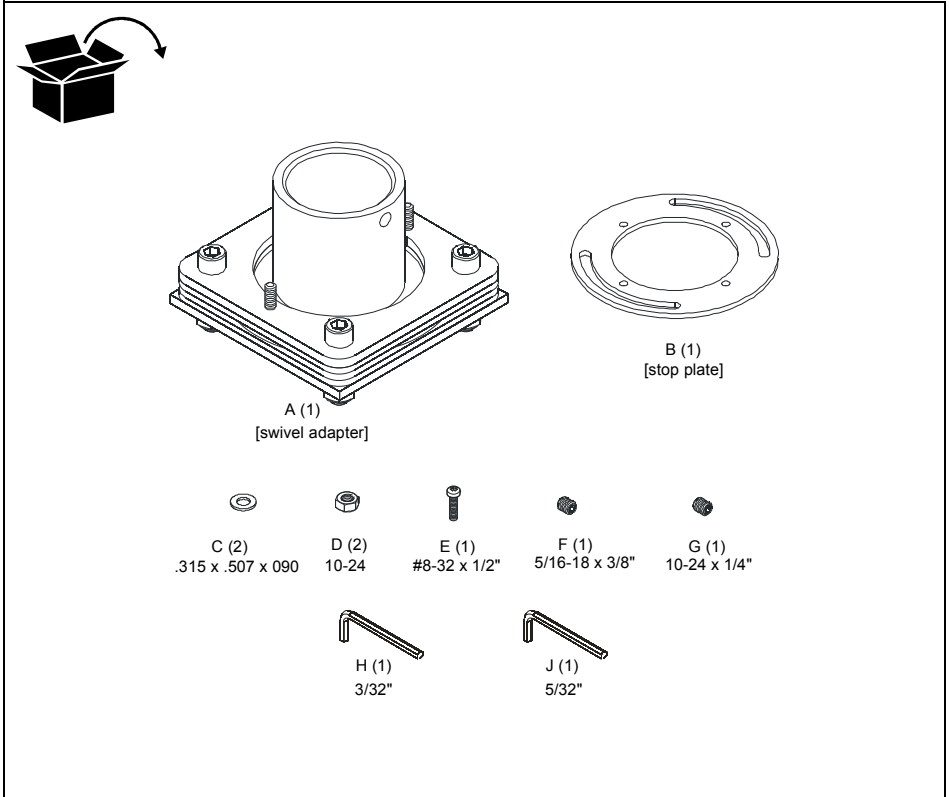
	Optional
	Opcional
	Optional
	Opcional
	Opzionale
	Optie
	En option

	Security Wrench
	Llave de seguridad
	Sicherheitsschlüssel
	Chave de segurança
	Chiave di sicurezza
	Veiligheidssleutel
	Clé de sécurité

TOOLS REQUIRED FOR INSTALLATION



PARTS





Installation

IMPORTANT ! : These installation instructions assume that a 1-1/2" NPT or NPSM following ANSI/ASME B1.20.1 (Schedule 40, 0.154" minimum thickness aluminum-ASTM B221) threaded extension column (not included) has been properly installed and is in place.

1. Place one Nylon washer (C) over each stud on swivel adapter (A). (See Figure 1)
2. Align slots in stop plate (B) with two threaded studs on swivel adapter (A). (See Figure 1)
3. Secure stop plate (B) to swivel adapter (A) using two lock nuts (D). (See Figure 1)

NOTE: DO NOT fully tighten lock nuts at this time.

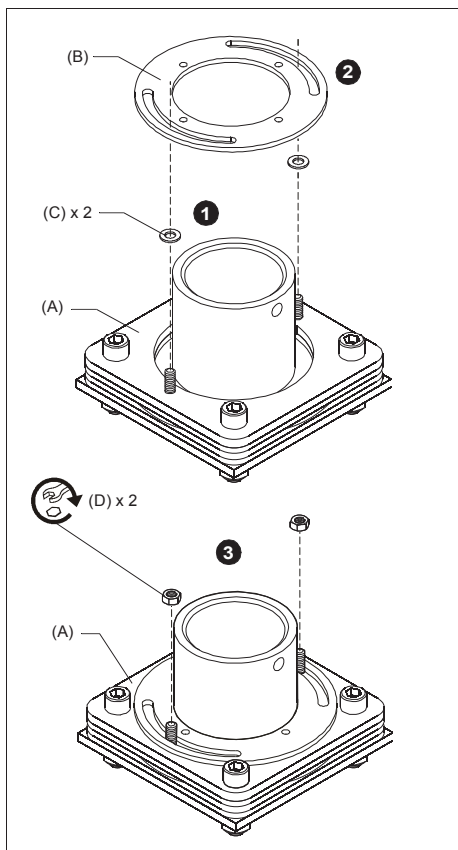


Figure 1

4. Thread swivel adapter (A) onto existing 1-1/2" NPT or NPSM threaded extension column until tight, with a minimum of four threads engaged. (See Figure 2)
5. Secure swivel adapter (A) to extension column using 5/16-18 x 3/8" set screw (F) and hex wrench. (See Figure 2)

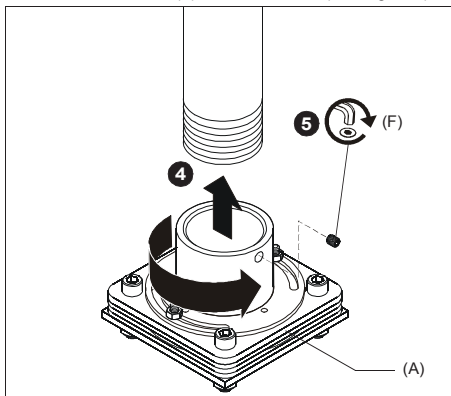


Figure 2

6. Rotate the bottom of swivel adapter (A) until middle set screw in swivel adapter (A) makes contact with tab in stop plate (B). (See Figure 3)

NOTE: This is considered the first stop position.

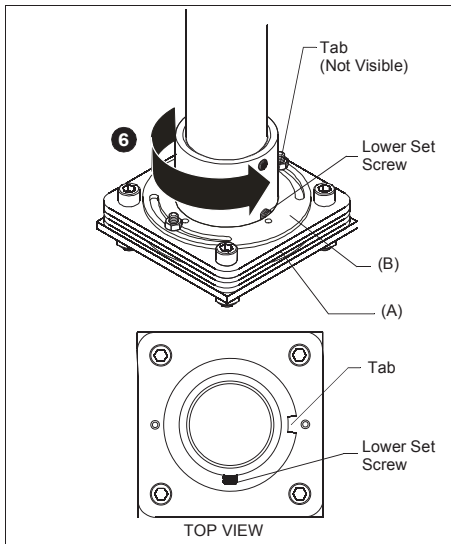


Figure 3

7. Using a pipe wrench, install 1-1/2" NPT or NPSM following ANSI/ASME B1.20.1 (Schedule 40, 0.154" minimum thickness aluminum - ASTM B221) threaded extension column (not included) into swivel adapter (A) until tight, with a minimum of four threads engaged.
8. Secure lower 1 1/2" NPT pipe to swivel adapter (A) using #10-24 x 1/4" set screw (G). (See Figure 4)

⚠ WARNING: Exceeding the weight capacity can result in serious personal injury or damage to equipment! It is the installer's responsibility to make sure the combined weight of all components located between the CSA-HD1 up to (and including) the display/projector does not exceed 500 lbs (226.8 kg).

The weight capacity of the CSA-HD1 may be LIMITED to the lowest weight capacity of any other component located between the CSA-HD1 and the supporting structure!

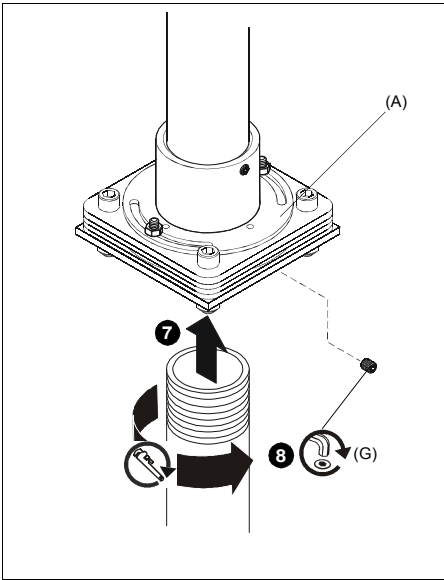


Figure 4

9. Rotate the bottom portion of the CMA-351 to the desired location for the second stop (0 degrees to 330 degrees). (See Figure 5)
10. Insert one Phillips pan head screw (E) in the nearest threaded hole in stop plate (B). (See Figure 5)

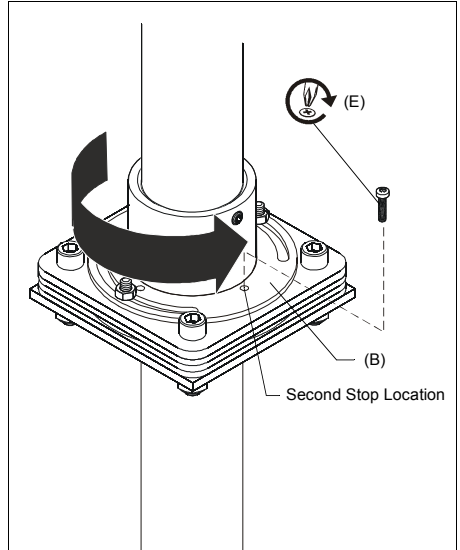


Figure 5

11. Tighten two lock nuts (D). (See Figure 6)

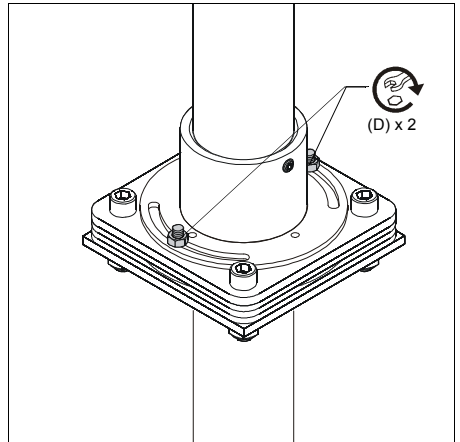


Figure 6

